

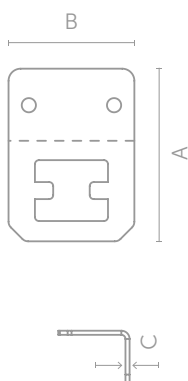
# EXIT accessories



## ACCESSORY FOR RECESSED MOUNTING (SET)

CODE: ETS/REC – EXIT S  
 ETE/REC – EXIT M  
 ETL/REC – EXIT L

### DIMENSIONS [mm]



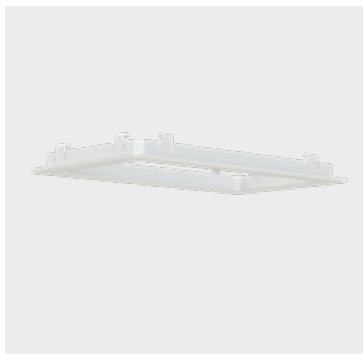
Dimensions: (AxBxC):

EXIT S: 36x36x1,5

EXIT M: 42x31x1,5

EXIT L: 37x34x1,5

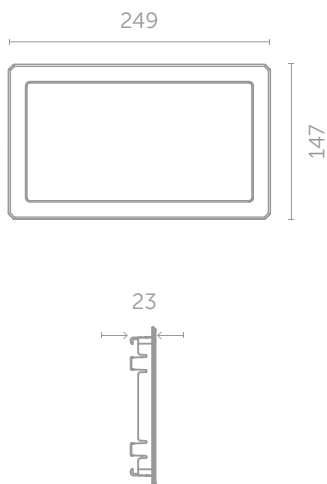
### FITS TO EXIT S, M, L



## ACCESSORY FOR RECESSED MOUNTING (SET)

CODE: ETS/REC2

### DIMENSIONS [mm]



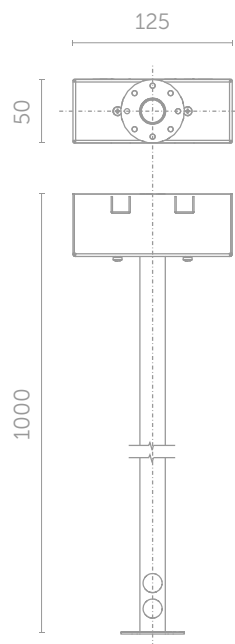
### FITS TO EXIT S



## ACCESSORY FOR PENDANT MOUNTING

CODE: ETE/PEN2

### DIMENSIONS [mm]



### FITS TO EXIT S, M, L



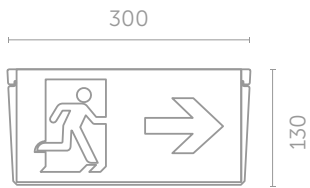


**PLEXI GLASS (SET)**

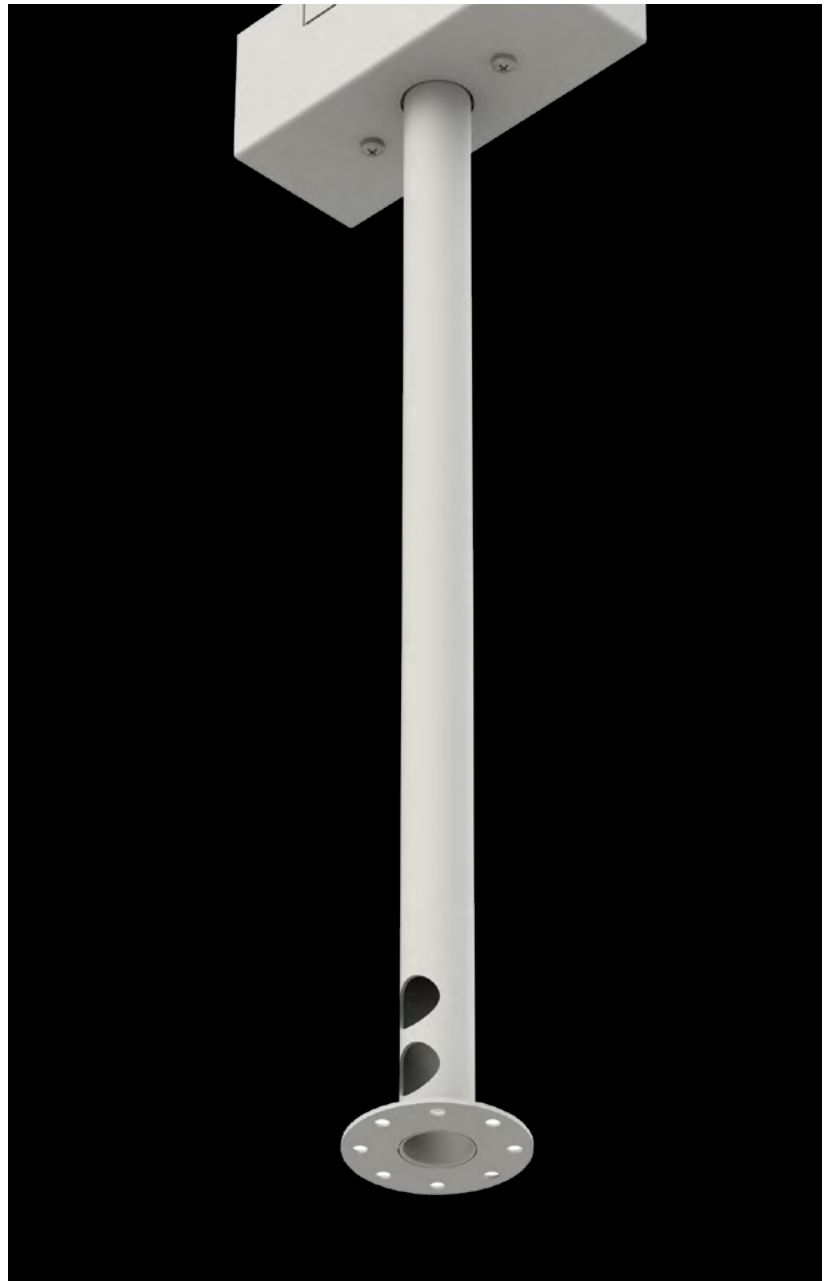
CODE: ETE/PLX

\* 1PC OF UNIVERSAL PICTOGRAM IS INCLUDED IN EACH SINGLE BOX

**DIMENSIONS [mm]**



**FITS TO EXIT M**





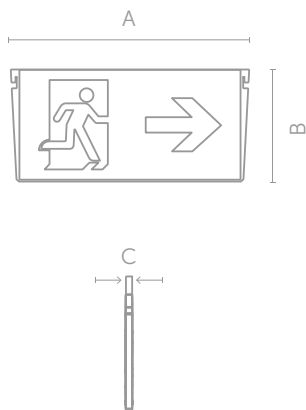
**PLEXI GLASS (SET)**

CODE: ETS/PLX - EXIT S

ETL/PLX - EXIT L

\*1PC OF UNIVERSAL PICTOGRAM IS INCLUDED IN EACH SINGLE BOX

**DIMENSIONS [mm]**



Dimensions:(AxBxC):

EXIT S: 224x107x6

EXIT L: 330x155x8

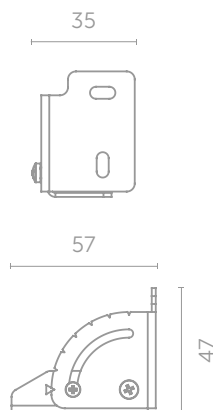
**FITS TO EXIT S, L**



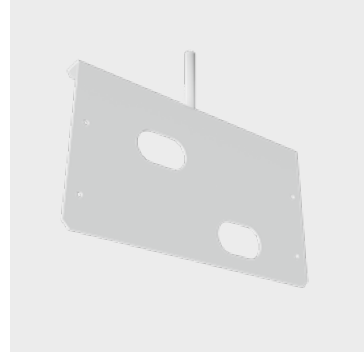
**ADJUSTABLE HANDLE 0-90°**

CODE: 3001

**DIMENSIONS [mm]**



**FITS TO EXIT M, L**



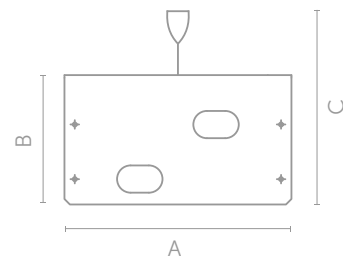
**CEILING BRACKET WITH PIPE**

CODE: 2945 - EXIT S

2946 - EXIT M

2947 - EXIT L

**DIMENSIONS [mm]**



Dimensions (mm): (AxBxC):

EXIT S: 202x121x428

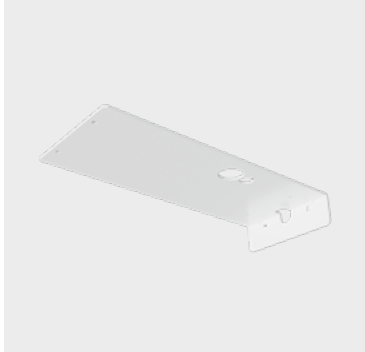
EXIT M: 250x142x449

EXIT L: 300x172x479

**FITS TO EXIT S, M, L**



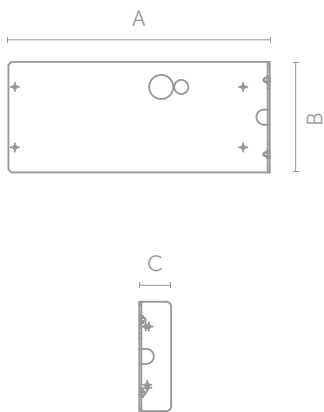




**WALL BRACKET**

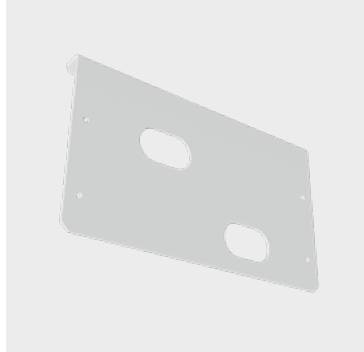
CODE: 1906 – EXIT S  
 1907 – EXIT M / EXIT M DS  
 1908 – EXIT L

**DIMENSIONS [mm]**



Dimensions (mm): (AxBxC):  
 EXIT S: 202x121x26  
 EXIT M: 250x142x33  
 EXIT L: 300x172x33

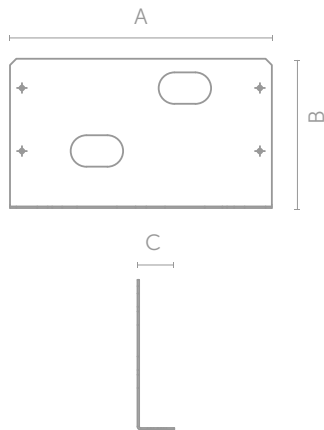
**FITS TO EXIT S, M, L**



**CEILING BRACKET**

CODE: 1903 – EXIT S  
 1904 – EXIT M / EXIT M DS  
 1905 – EXIT L

**DIMENSIONS [mm]**



Dimensions (mm): (AxBxC):  
 EXIT S: 202x121x26  
 EXIT M: 250x142x33  
 EXIT L: 300x172x33

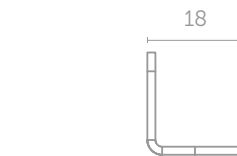
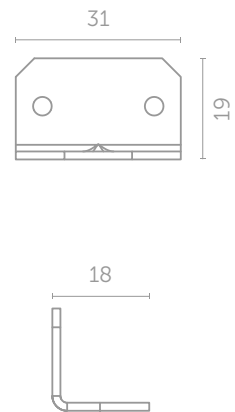
**FITS TO EXIT S, M, L**



**ACCESORY FOR ROPE SUSPENSION (SET)**

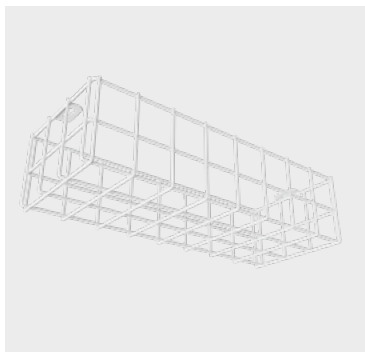
CODE: ET/ALIN

**DIMENSIONS [mm]**



**FITS TO EXIT M, L**

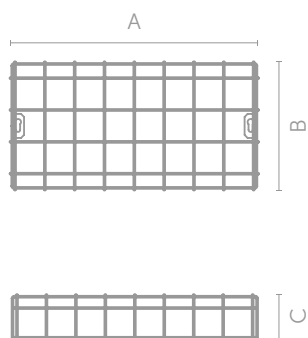




**WIRE GUARD**

CODE: 1012 – EXIT S  
 1013 – EXIT M  
 1014 – EXIT L

**DIMENSIONS [mm]**



Dimensions:(AxBxC):  
 EXIT S: 255x145x60  
 EXIT M: 305x200x60  
 EXIT L: 415x215x75

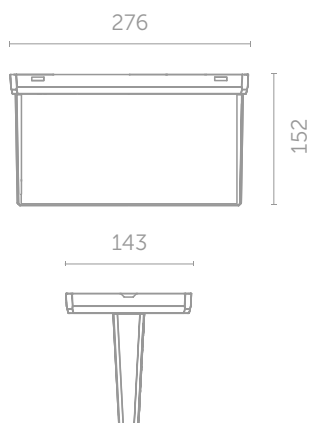
**FITS TO EXIT S, M, L**



**FIXTURE SHADE (SET)**

CODE: ETM/DS

**DIMENSIONS [mm]**



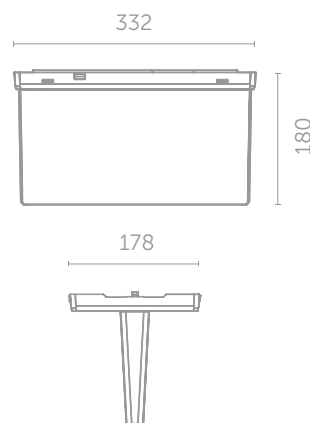
**FITS TO EXIT M**



**FIXTURE SHADE (SET)**

CODE: ETL/DS

**DIMENSIONS [mm]**



**FITS TO EXIT L**

