

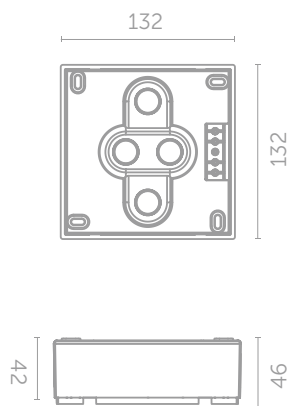
LOVATO accessories



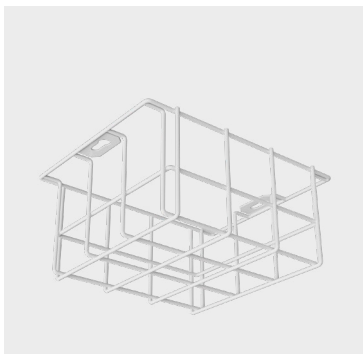
BOX FOR SURFACE MOUNTING

CODE: LV2/BOX/WH
LV2/BOX/GR
LV2/BOX/BL

DIMENSIONS [mm]



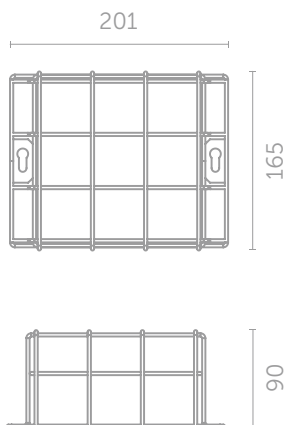
FITS TO LOVATO II



WIRE GUARD

CODE: 1015

DIMENSIONS [mm]



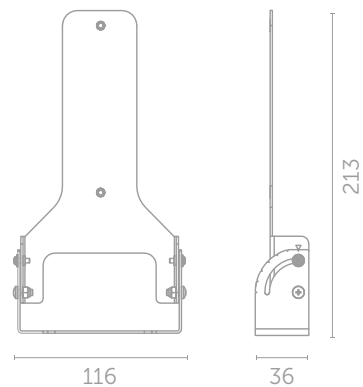
FITS TO LOVATO II



ADJUSTABLE HANDLE 0-90°

CODE: LV65/090/ST

DIMENSIONS [mm]



FITS TO LOVATO 65



